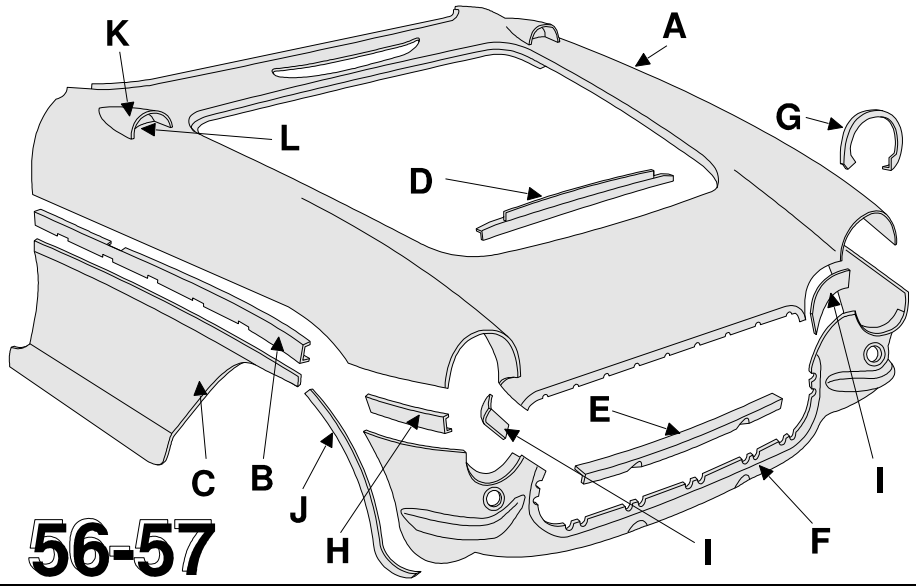


See Page 191 for Fiberglass Key

**56-57 Front End Fiberglass**

- A** 56-57 Top Surround \* HL 8200140 950.00
- 56-57 Top Surround \* MM 8200139 994.95
- The following 3 Panels are included in the Top Surround.
- Front Center Panel MM O/S 8200253 289.00
- LH Top Fender Panel MM O/S 8200411 479.95
- RH Top Fender Panel MM O/S 8200412 479.95
- 56-57 Upper Outer Firewall Panel MM O/S 8200138 354.95
- B** 56-57 Top Surround to Side Fender Bonding Strip:
- MM LH 8200267 93.50 RH 8200268 93.50
- C** 56-57 Front Fender Louver Panels: O/S
- MM LH 8200398 394.00 RH 8200399 394.00
- HL LH 8200144 265.00 RH 8200145 265.00
- D** 56-57 Upper Radiator Extension Bonding Strip MM 8200147 71.50
- E** 56-57 Lower Radiator Baffle MM 8200149 114.95
- F** 56-57 Lower Valence Panels *Select from...*
- Lower Panel \* HL O/S 8200151 395.00
- Lower Panel \* MM O/S 8200152 468.95
- The following 3 Panels are included in the Lower Valence
- Center Lower Panel MM O/S 8200240 225.00
- LH Lower Corner MM O/S 8200413 289.95
- RH Lower Corner MM O/S 8200414 289.95
- G** 56-57 Headlight Housing Eyebrow Bonding Strips MM
- LH 8200154 49.50 RH 8200155 49.50
- H** 56-57 Head Lamp Opening to Wheel Well Corner Bonding Strips: MM
- LH 8200156 49.50 RH 8200157 49.50
- I** 56-57 Head Lamp Opening to Grill Bonding Strips: MM
- LH 8200158 39.95 RH 8200159 39.95
- J** 56-57 Wheel Opening Lip Bonding Strips: MM
- LH 8200160 69.95 RH 8200161 69.95
- K** 56-57 Fender Scoop Filler Panels: HL
- LH 8200164 89.95 RH 8200165 89.95
- L** 56-57 Fender Scoop Reinforcement: MM
- LH 8200166 49.50 RH 8200167 49.50

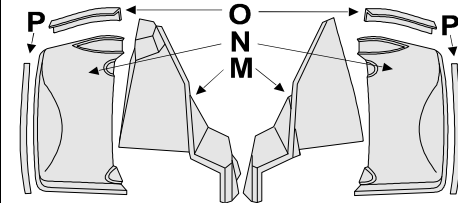


**56-57**

**53-57 Inner Fender Skirts and Radiator Extensions**

- M** 53-54 Inner Fender Skirts
- HL LH 8200113 0.00 RH 8200114 0.00
- MM LH 8200055 328.95 RH 8200056 328.95
- M** 55-57 Inner Fender Skirts
- HL LH 8200170 239.95 RH 8200171 239.95
- MM LH 8200063 RH 8200064
- N** 53-57 Fender Skirt to Radiator Support Extension Panels: LH MM 8200174 104.50
- RH MM 8200175 104.50
- O** 53-57 Extension Panel Top Horizontal Bonding Strip
- MM LH 8200178 34.95 RH 8200179 34.95

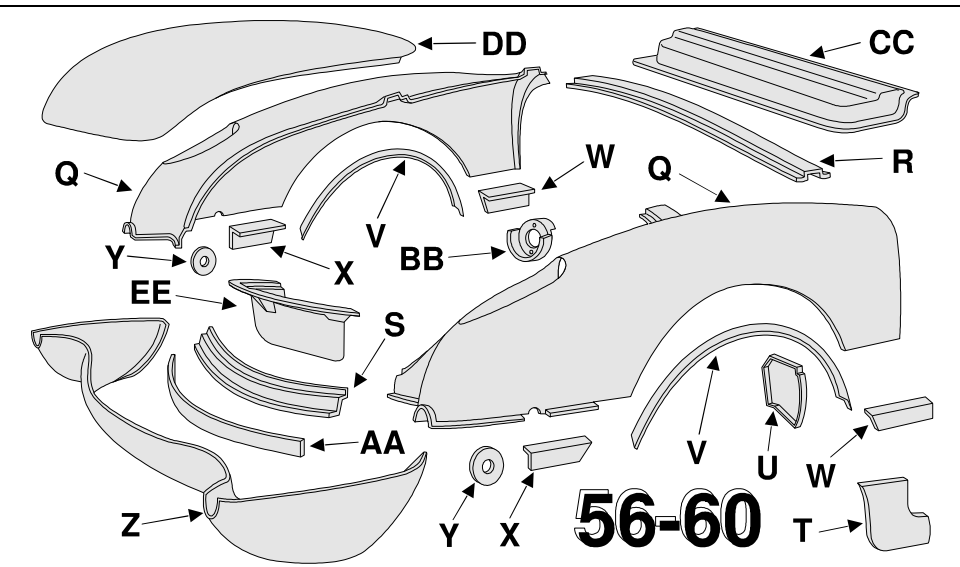
- P** 53-55 Extension Panel Vertical Bonding Strip HL
- HL LH 8200111 69.95 RH 8200112 69.95
- MM LH 8200053 69.95 RH 8200054 69.95
- P** 56-57 Extension Panel Vertical Bonding Strip
- MM LH 8200176 63.50 RH 8200177 63.50



**56-60 Rear End Fiberglass**

- Q** 56-60 Rear Quarter Fender Panels: O/S
- HL O/S LH 8200180 RH 8200181 298.95
- MM O/S LH 8200098 RH 8200099 429.95
- 58-60 Rear Surround Panels all HL & UPS O/S
- R** Upper Rear Surround Center HL 8200198 198.95
- S** Lower Rear Surround Center HL 8200197 188.95
- Q+R+S** 56-60 Rear Upper Body Panel
- One Piece HL Truck Ship \* 8200141 699.95
- One Piece MM Truck Ship \* 8200097 820.00
- T** 56-60 Rear Quarter Front Lower Panel with the Rocker Panel to the door opening front edge O/S
- MM LH 8200191 0.00 RH 8200192 0.00

- U** 56-62 Rear Wheel Front Splash Panel
- HL LH 8200200 74.00 RH 8200201 74.00
- MM LH 8200083 68.50 RH 8200084 68.50
- 56-58 Rear Wheel Rear Splash Panel
- MM LH 8200077 82.50 RH 8200078 82.50
- V** 56-60 Rear Wheel Reinforcement Lip
- MM LH 8200182 71.50 RH 8200183 71.50
- W** 56-60 Rear Quarter Bond Strip in the Front of Wheel Well
- HL LH 8200184 47.00 RH 8200185 47.00
- MM LH 8200075 57.00 RH 8200076 57.00
- X** 56-57 Rear Quarter Bonding Strip at Rear of Wheel Well
- HL LH 8200189 49.50 RH 8200190 49.50
- MM LH 8200070 69.50 RH 8200071 69.50
- 58-60 Rear Quarter Bonding Strip at Rear of Wheel Well
- HL LH 8200186 52.50 RH 8200187 52.50
- MM LH 8200073 69.50 RH 8200074 69.50
- Y** 58-60 Bumper Reinforcement Disc used with the above
- Rear Quarter B/S 2 reqd MM 8200188 37.95
- Z** 56-60 Rear Filler Panel below bumpers across rear of the body (some body work required if used on 56-57)
- Truck Ship \* HL 8200195 368.95
- Truck Ship \* MM 8200100 629.00
- AA** Rear Filler Panel Rear Bonding Strip UPS O/S
- 56-57 HL 8200194 90.00 MM 8200072 138.95
- 58-60 HL 8200196 71.00 MM 8200094 71.50
- BB** 56-60 Tail Lamp Retainer MM 8200133 59.95
- CC** 56-62 Gas Tank Cover Panel UPS O/S
- MM Used GM Factory made 8200202 200.00
- 56-60 Gas Filler Housing bonds to the Rear Quarter
- HL 8200203 0.00 MM 8200067 119.95
- DD** 58-60 Trunk Lid O/S HL 8200199 495.00
- ? 56-60 Trunk Filler Panels these surround the Spare Tire Depression in the Underbody Panel
- EE** 56-60 Center Rear Filler Panel *Select from...*
- Center HL Repr 8200205 0.00
- Center MM Repr 8200085 191.50
- Center MM Used Factory GM part 8200204 200.00
- 56-60 Trunk Side Rear Filler Panels HL
- HL LH 8200206 79.00 RH 8200207 79.00
- Early 58 Trunk Side Rear Filler Panels
- HL LH 8200079 82.50 RH 8200080 82.50
- Late 58-60 Trunk Side Rear Filler Panels
- HL LH 8200081 82.50 RH 8200082 82.50
- Trunk Tail Pipe Upper & Lower Covers
- 56-57 LH Pipe Covers MM 8200119 87.95
- 56-57 RH Pipe Covers MM 8200120 87.95
- 58-60 Tail Pipe Upper + Lower Covers
- HL 2 reqd 8200132 87.95



**56-60**

over 2000 web pages at [www.DocRebuild.com](http://www.DocRebuild.com)